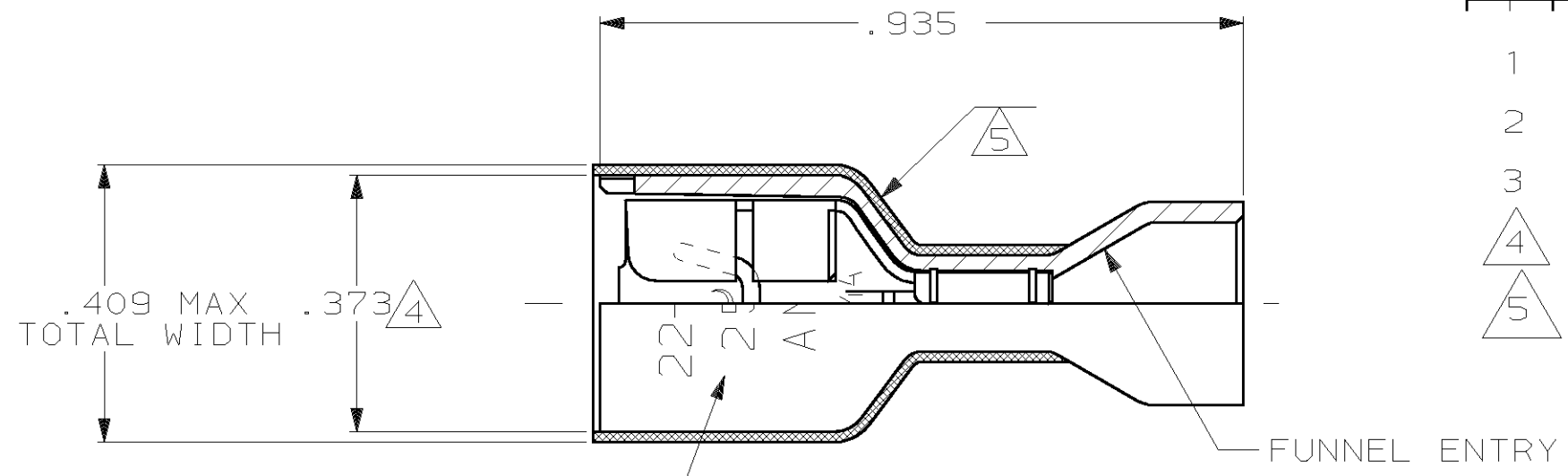
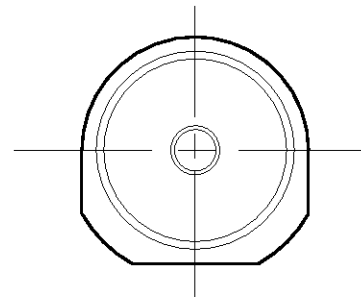
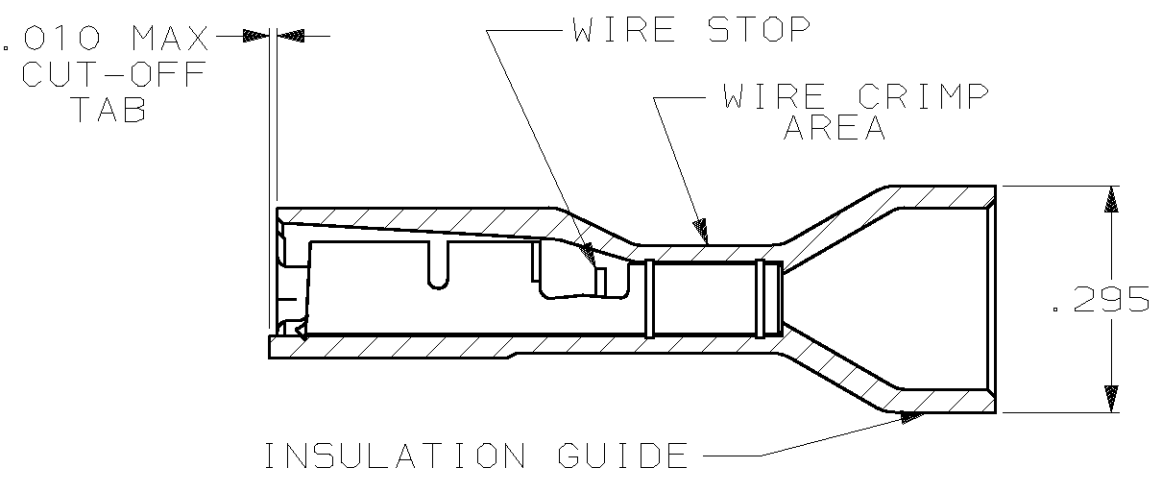
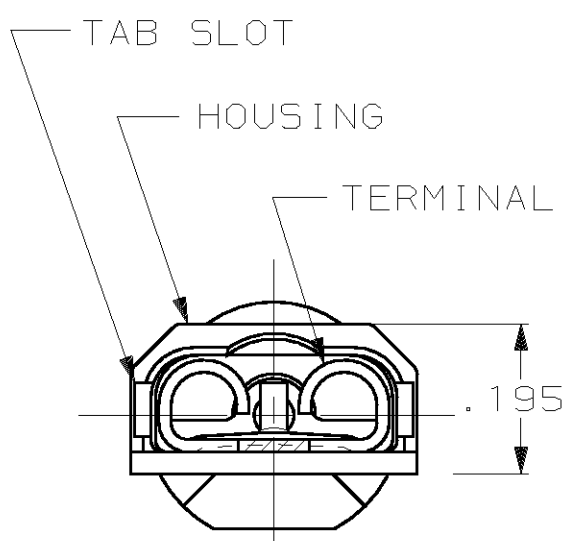


THIS DRAWING IS UNPUBLISHED. RELEASED FOR PUBLICATION, 19
 © COPYRIGHT 19 BY AMP INCORPORATED. ALL INTERNATIONAL RIGHTS RESERVED.

LOC	DIST	REVISIONS						
AF	50	P	F	ZONE	LTR	DESCRIPTION	DATE	APPD
					L	REV PER 0G1A-0148-99	4JUN99	JR JH



- 1 MATES WITH .032±.001×.250 TAB
- 2 WIRE STRIP LENGTH .281
- 3 INSULATION SIZE .230 MAX DIA
- 4 DIMENSION DOES NOT INCLUDE TRIM BURR
- 5 .015 MAX CARRIER TRIM BURR PER SIDE IS ALLOWABLE IN THE SHADED AREA



OBSOLETE	HOUSING: NYLON, COLOR-RED TRANSLUCENT	2-520264-4
	RECEPTACLE: #3 HARD PH BRONZE, TIN .000080 MIN	
	HOUSING: NYLON, COLOR-RED TRANSLUCENT	2-520264-2
	RECEPTACLE: #3 HARD BRASS, TIN .000080 MIN	

MATERIAL & FINISH		PART NO	
DO NOT SCALE PRINT. UNLESS SPECIFIED DIMENSIONS IN INCHES TOLERANCES ON: 2 PLC DEC ± - 3 PLC DEC ± .015 ANGLES ± -	DR 9/30/88 P FORTNEY	AMP INCORPORATED Harrisburg, Pa. 17105	
MATERIAL SEE TABLE	CHK 9/30/88 MS FEHER		
FINISH SEE TABLE	APPD 9/30/88 K RANDOLPH	NAME RECEPTACLE ASSY, ULTRA-FAST, LOOSE PIECE, .250 SERIES, 22-18 AWG	
	APPD 10/4/88 TL SHUTTER	SIZE B	FSCM NO 00779
	PRODUCT SPEC 108-2043	DRAWING NO 520264	
	APPLICATION SPEC 114-2123	SCALE 4:1	SHEET 1 OF 1
	WEIGHT -		